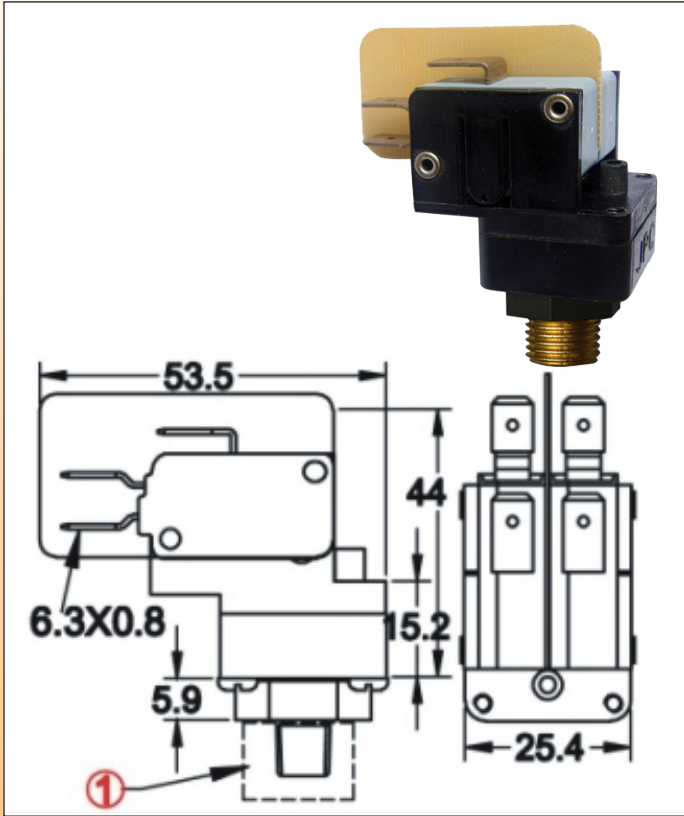


# Snap action contact miniature vacuum switch, DPDT contact

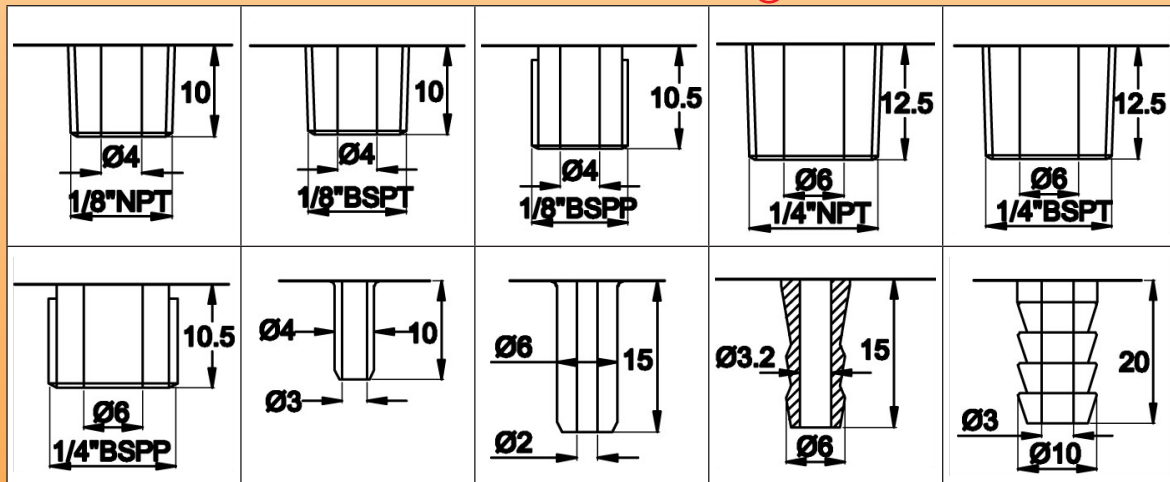
## Metal fitting : Type ZT

### DIMENSIONS



**Uses:** High electrical rating, for 250V.  
**Main applications:** Vacuum detection on pumps, filters, ventilation, and electrical appliances.  
**Membranes:** EPDM, dia 22 mm. Silicone or NBR on request. Double membrane on request.  
**Fluid:** water or air  
**Fitting:** brass (stainless steel on request)  
**Pressure:** negative (Vacuum)  
**Housing:** PA66, UL94 VO  
**Contact:** two SPDT switches, snap action. NO or NC contacts available with MOQ  
**Electrical rating:** Depends on micro-switch operating force that is linked to the electrical rating  
 - Standard rating micro-switch (medium and high vacuum calibration only): 16A 125/250VAC; 1/2HP 125VAC; 3/4HP 250VAC. Differential about 60 mbar  
 - High rating micro-switch (medium and high vacuum calibration only): 2HP 240V, 21(8) A 240V (UL, CSA VDE switch). Differential about 90 mbar.  
 - Low force micro-switch (vacuum less than minus 150 mbar): 1/4HP 6(1) A 240V (UL, CSA VDE switch) Differential about 40 mbar.  
 - On request: up to 25A 250V  
**Action:** momentary.  
**Set point calibration:** factory calibrated and sealed, not field adjustable  
**Calibration condition:** the contact between Com and NC opens when vacuum pressure goes from atmospheric pressure to requested vacuum set point.  
**Set point calibration limits:** from minus 50 to minus 700 mbar  
**Electrical connection:** 6.35 x 0.8 mm quick connect terminals  
**Maximum pressure:** 4 bars (58 PSI)  
**Maximum vacuum:** minus 700 mbar (relative pressure)  
**Ambient temperature limits:** 0 to 85°C

### Available pressure inlet fittings ①



### References ( with SPDT contact and brass fitting):

Pressure inlet	Standard rating micro- switch (Calibration : minus 200 mbar)	Low pressure micro-switch (Calibration minus 100 mbar)	High rating micro-switch (Calibration minus 300 mbar)
1/8" NPT	ZT222RU10B000000	ZT252RU50A000000	ZT2BRU60C0000000
1/8" BSPT	ZT222PU10B000000	ZT252PU50A000000	ZT2BPU60C0000000
1/8" BSPP	ZT222LU10B000000	ZT252LU50A000000	ZT2BLU60C0000000
1/4" NPT	ZT222CU10B000000	ZT252CU50A000000	ZT2BCU60C0000000
1/4" BSPT	ZT222SU10B000000	ZT252SU50A000000	ZT2BSU60C0000000
1/4" BSPP	ZT222U10B000000	ZT252U50A000000	ZT2B2U60C0000000
Smooth spout dia 4 mm	ZT2223U10B000000	ZT2523U50A000000	ZT2B3U60C0000000
Spout dia 6 mm	ZT2227U10B000000	ZT2527U50A000000	ZT2B7U60C0000000
Fluted spout dia 6 mm	ZT222JU10B000000	ZT252JU50A000000	ZT2BJU60C0000000
Barbed spout dia 10 mm	ZT2229U10B000000	ZT2529U50A000000	ZT2B9U60C0000000
	Other set point values: replace B00 in the product reference by the requested value in mbar	Other set point values: replace A00 in the product reference by the requested value in mbar	Other set point values: replace 000 in the product reference by the requested value in mbar

